

Multipurpose - ABS (1591 Series)

Plastic

Brass bushings for repetitive assembly and disassembly...

No "gate" marks on bottom...



Molded in Flame Retardant ABS

Uses machine screws into brass bushings...

Lap joint construction...

OTHER KEY FEATURES

- Electronic instrument enclosures, designed for mounting printed circuit boards.
- Integral card guides accept 1.5 mm (0.062") P.C. cards.
- Two piece lap joint construction provides protection against access of dust and splashing water.
- Designed to meet IP54
- Molded in flame retardant ABS plastic (material carries a UL flammability rating of 94V-0).
- Lid is secured with M3 x 10 mm Philips machine screws, threaded into integral brass bushings. The black enclosure comes with black screws. All others are nickel plated.

ACCESSORIES



P.C. Board Card Adaptors

Allows horizontal mounting of P.C. board(s). See "Accessories Section" for full details!
1591Z6 - Package of 6
1591Z50 - Package of 50
1591Z100 - Package of 100



Replacement Screws

Machine screws, nickel plated, M3 - 0.5 x 10mm
1591MS100 - Package of 100
Machine screws, black, M3 - 0.5 x 10mm
1591MS100BK - Package of 100



Flange Kits

Mount to either the rear (using glue) or can be attached to the lid using existing lid screws and holes. See "Accessories Section" for full details!



Clear Lids

Stocked in prototype quantities - made of clear, flame retardant polycarbonate. Lid ONLY.
1591LC - use with 1591L & M
1591AC - use with 1591A
1591BC - use with 1591B
1591CC - use with 1591C
1591DC - use with 1591D
1591EC - use with 1591E
1591GC - use with 1591G
1591HC - use with 1591H
1591SC - use with 1591S
1591TC - use with 1591T
1591UC - use with 1591U
1591VC - use with 1591V

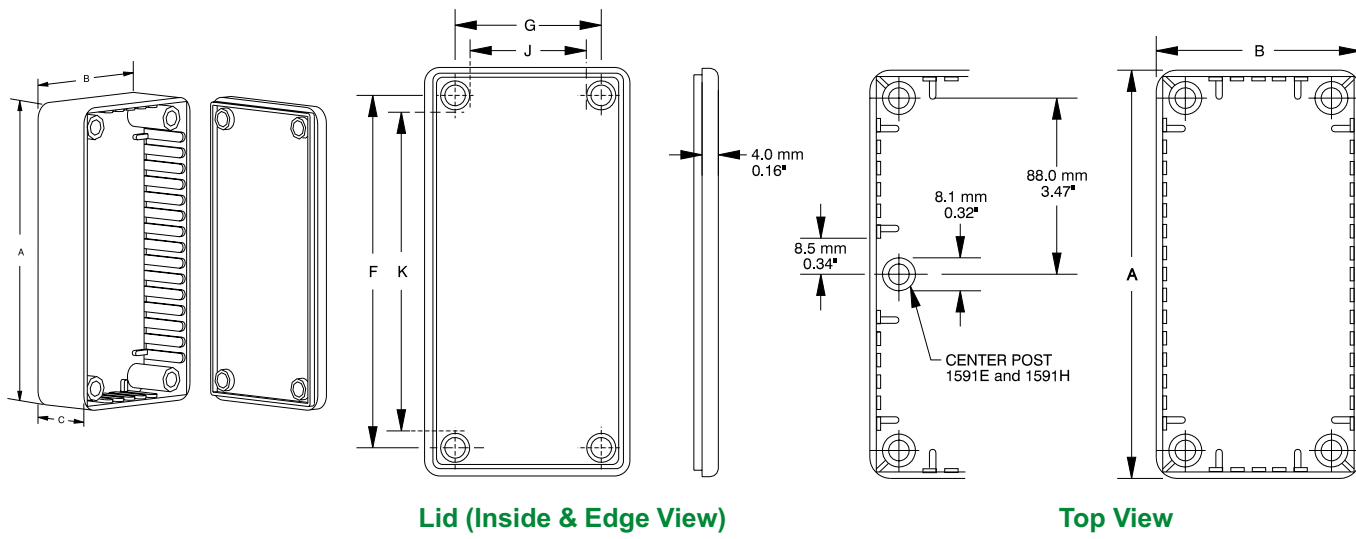


Belt or Pocket Clip

Molded from tough nylon, includes 2 nylon screws (insulated to avoid internal interference) and mounting template.
1599CLIP - Black
1599CLIPGY - Grey

Multipurpose - ABS (1591 Series)

Plastic



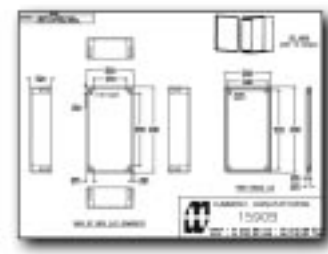
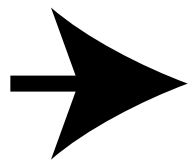
Lid (Inside & Edge View)

Top View

Part Number					Units	Dimensions					P.C. Card Clearance	
Beige	Black	Blue	Grey	Black Shielded		A	B	C (No Lid)	F	G	J	K
1591MBG	1591MBK	1591MBU	1591MGY	1591RMBK	inch	3.3	2.2	0.8	2.8	1.7	1.3	2.5
					mm	85	56	21	71	42	34	63
1591LBG	1591LBK	1591LBU	1591LGY	1591RLBK	inch	3.3	2.2	1.4	2.9	1.7	1.4	2.5
					mm	85	56	35	73	44	35	64
1591ABG	1591ABK	1591ABU	1591AGY	1591RABK	inch	3.9	2.0	0.8	3.4	1.4	1.1	3.1
					mm	100	50	21	86	36	29	79
1591SBG	1591SBK	1591SBU	1591SGY	1591RSBK	inch	4.3	3.2	1.6	3.8	2.7	2.4	3.5
					mm	110	82	40	98	70	61	89
1591BBG	1591BBK	1591BBU	1591BGY	1591RBBK	inch	4.4	2.4	1.1	3.9	1.9	1.6	3.5
					mm	112	62	27	98	48	41	91
1591CBG	1591CBK	1591CBU	1591CGY	1591RCBK	inch	4.7	2.6	1.4	4.2	2.0	1.7	3.9
					mm	120	65	36	106	51	44	99
1591TBG	1591TBK	1591TBU	1591TGY	1591RTBK	inch	4.7	3.2	2.2	4.2	2.6	2.3	3.9
					mm	120	80	55	106	66	59	99
1591UBG	1591UBK	1591UBU	1591UGY	1591RUBK	inch	4.7	4.7	2.2	4.2	4.2	3.9	3.9
					mm	120	120	55	106	106	99	99
1591VBG	1591VBK	1591VBU	1591VGY	1591RVBK	inch	4.7	4.7	3.5	4.2	4.2	3.9	3.9
					mm	120	120	90	106	106	99	99
1591GBG	1591GBK	1591GBU	1591GGY	1591RGBK	inch	4.8	3.7	1.2	4.2	3.1	2.8	3.9
					mm	121	94	30	106	79	73	100
1591DBG	1591DBK	1591DBU	1591DGY	1591RDBK	inch	5.9	3.2	1.8	5.4	2.6	2.3	5.0
					mm	150	80	46	136	66	59	129
1591HBG	1591HBK	1591HBU	1591HGY	1591RHBK	inch	6.5	2.8	1.0	6.0	2.2	1.9	5.6
					mm	165	71	25	153	56	50	144
1591EBG	1591EBK	1591EBU	1591EGY	1591REBK	inch	7.5	4.3	2.2	6.9	3.8	3.5	6.6
					mm	191	110	57	176	96	89	170

NOTES: - Assembled height = dimension "C" + 0.16" (4.0 mm)
 - Average wall thickness: 0.06" (1.5 mm)

For detailed drawings, CAD files and color photos visit our website at: www.hammondmg.com



CANADA
 Guelph, Ontario (519) 822-2960
 St. Laurent, Quebec (514) 343-9010
USA
 Cheektowaga, NY (716) 651-0086

www.hammondmg.com

EUROPE
 Basingstoke, UK +44 1256 812812

AUSTRALASIA
 Queenstown, SA, Australia +61 8 8240 2244